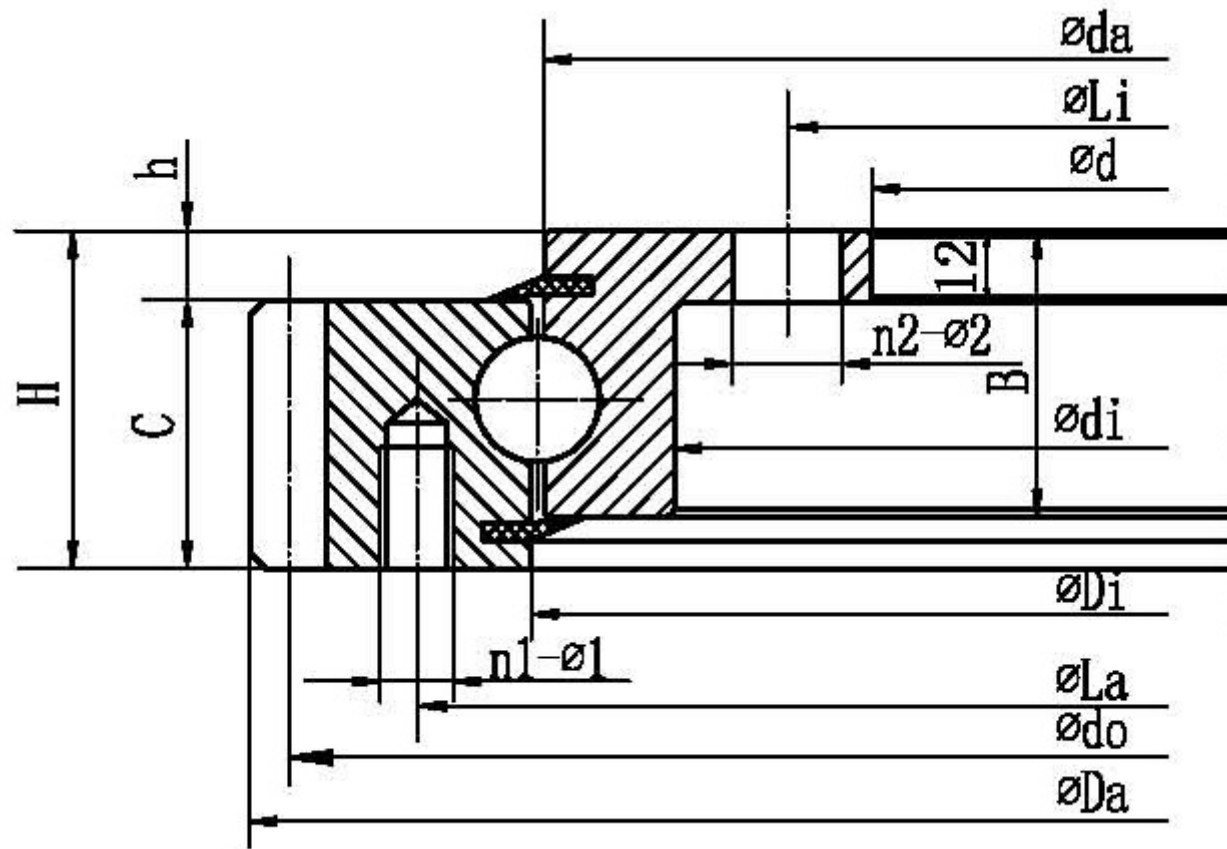


石頭金

MetalMiracle[®]

Slewing Bearing with inner flange and external gear including but not limited to:



INA Model	Rothe Erde Model	TG Model	Boundary dimensions (mm)			Bolt hole diameter (mm)						Structure dimensions (mm)						Gear Parameters (mm)			Basic load rating Coa (KN)	Weight (KG)		
			Da	di	H	La	Li	n1	n2	$\varphi 1$	$\varphi 2$	D1	d	b	h	B	C	Di	da	m			z	do
VLA200414N ZT			503.3	304	56	455	332	10	12	M12	$\varphi 18$	480	369.5	40	8.5	47.5	44.5	415.5	412.5	5	99	495	600	31.2
VLA200414N			503.3	304	56	455	332	10	12	M12	18	480		40	11.5	47.5	44.5	415.5	412.5	5	99	495	295	29.5

	231.20.0400.013		504	304	56	455	332	10	12	M12	18			45.5	10.5	45.5	45.5	415.5	412.5	5	99	495	250	29.3
	231.20.0400.503		504	304	56	455	332	10	24	M12	18			45.5	10.5	45.5	45.5	415.5	412.5	5	99	495	250	29
		E.505.20.00.C	504	304	56	455	332	10	12	M12	φ18		375	46	10	46	46	415.5	412.5	5	99	495	500	33.3
		E.505.20.C	504	304	56	455	332	10	12	M12	φ18		373	46	10	46	46	415.5	412.5	5	99	495	640	34
			505	304	56	455	332	10	12	M12	φ18		368	56	10	46	46	413	409	5	99	495	470	32
	231.21.0475.013		504	305	56	455	332	10	12	M12	18			45.5	10.5	45.5	45.5	417	412.5	5	99	495	250	29.3
VLA200544N																								
ZT			640.3	434	56	585	462	14	14	M12	φ18		502	44.5	11.5	44.5	44.5	545.5	542.5	6	105	630	670	41.5
VLA200544N																								
ZT			640.3	434	56	585	462	14	14	M12	φ18		499.5	44.5	8.5	47.5	44.5	545.5	542.5	6	105	630	790	41.6
VLA200544N			640.3	434	56	585	462	14	14	M12	18			44.5	11.5	47.5	44.5	545.5	542.5	6	105	630	385	41.5
	231.20.0500.013		640.8	434	56	585	462	14	14	M12	18			45.5	10.5	45.5	45.5	545.5	542.5	6	105	630	330	39.5
	231.20.0500.503		640.8	434	56	585	462	14	28	M12	18			45.5	10.5	45.5	45.5	545.5	542.5	6	105	630	330	39.2
		E.650.20.C	640.8	434	56	585	462	14	14	M12	φ18		505	46	10	46	46	545.5	542.5	6	105	630	670	40.6
	231.20.0500.503		640.8	434	56	585	462	14	28	M12	φ18		505	45.5	10.5	45.5	45.5	545.5	542.5	6	105	630	660	40.6
	231.21.0575.013		640.8	435	56	585	462	14	14	M12	18			45.5	10.5	45.5	45.5	547	542.5	6	105	630	330	39.5
			742	534	56	685	562	16	16	M12	φ18		598	46	10	46	46	645	641	6	122	732	740	51.4
VLA200644N																								
ZT			742.3	534	56	685	562	16	16	M12	φ18		599.5	44.5	8.5	47.5	44.5	645.5	642.5	6	122	732	900	50
VLA 200644N			742.3	534	56	685	562	16	16	M12	18			44.5	11.5	47.5	44.5	645.5	642.5	6	122	732	455	48.5
	231.20.0600.013		742.8	534	56	685	562	16	16	M12	18			45.5	10.5	45.5	45.5	645.5	642.5	6	122	732	390	47.6
	231.20.0600.503		742.8	534	56	685	562	16	32	M12	18			45.5	10.5	45.5	45.5	645.5	642.5	6	122	732	390	47.2
		E.750.20.00.C	742.8	534	56	685	562	16	16	M12	φ18		605	46	10	46	46	645.5	642.5	6	122	732	780	55.1
	231.21.0675.013		742.8	535	56	685	562	16	16	M12	18			45.5	10.5	45.5	45.5	647	642.5	6	122	732	390	47.6
			744	535	58	685	562	16	12	M12	M12		600	46	12	46	46	643	642	6	122	732	333	54.7
VLA200744N																								
ZT			838.1	634	56	785	662	18	16	M12	φ18		699.5	44.5	8.5	47.5	44.5	745.5	742.5	6	138	828	1050	56
VLA 200744N			838.1	634	56	785	662	18	16	M12	18			44.5	11.5	47.5	44.5	745.5	742.5	6	138	828	530	54.5

	231.20.0700.013		838.8	634	56	785	662	18	16	M12	18			45.5	10.5	45.5	45.5	745.5	742.5	6	138	828	450		53.5
	231.20.0700.503		838.8	634	56	785	662	18	32	M12	18			45.5	10.5	45.5	45.5	745.5	742.5	6	138	828	450		53.1
		E.850.20.00.C	838.8	634	56	785	662	18	16	M12	φ18		705	46	10	46	46	745.5	742.5	6	138	828	910		60
			840	634	56	785	662	18	16	M12	φ18		698	46	10	46	46	745	741	6	138	828	840		57.7

Contact Us:

Sichuan MetalMiracle Industry Corp.

Tianfu Avenue South Section NO.2039, HuaYang, Chengdu Tianfu New Area, China.

Industry area, ChongZhou, Chengdu, China.

Industry area, ChongQing, China.

Mechanical Industry area, Taibai, Maanshan, China.

Tel. 86 28 85718737 Email: simon@lycores.com www.lycores.com